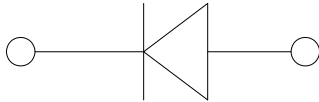
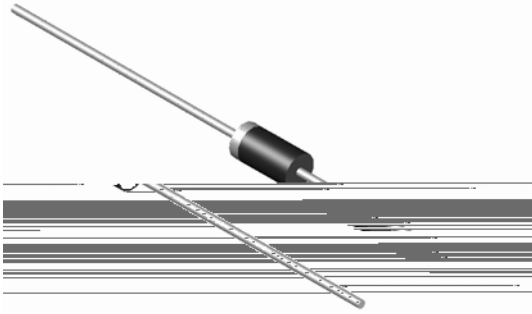




## High Efficient Rectifier



### Features

- High efficiency
- High current capability
- High Reliability
- High surge current capability
- Glass passivated chip junction
- Solder dip 275 °C max. 7 s, per JESD 22-B106

### Mechanical Data

- Package:** DO-204AC(DO-15)
- Molding compound meets UL 94 V-0 flammability rating, RoHS-compliant
- Terminals:** Tin plated leads, solderable per

	RRM	V	50	100	200	300	400	600	800	1000
Maximum RMS Voltage	V <sub>RMS</sub>	V	35	70	140	210	280	420	560	700
Maximum DC blocking Voltage	V <sub>DC</sub>	V	50	100	200	300	400	600	800	1000

### Average Forward Current

4 60H n sine wave ħ Resistance load ħ Ta 1 75

I<sub>F(AV)</sub>@Measured at 1MHz and Applied Reverse Voltage of 4.0 V.D.C. C<sub>j</sub> pF 28 17 12

Storage Temperature	T <sub>stg</sub>	m
---------------------	------------------	---

				*	HER203 G	HER204 G	HER205 G	HER206 G	HER207 G	HER208 G
Maximum instantaneous forward voltage drop per diode	V <sub>F</sub>	V	I <sub>FM</sub> =2.0A	1.0	1.3	1.7				
Maximum DC reverse current at rated DC blocking voltage per diode	I <sub>R</sub>	μA	T <sub>j</sub> =25	2.5						
			T <sub>j</sub> =125	100						
Maximum reverse recovery time	t <sub>rr</sub>	ns	I <sub>F</sub> =0.5A, I <sub>R</sub> =1.0A, I <sub>r</sub> =0.25A	50	75					





